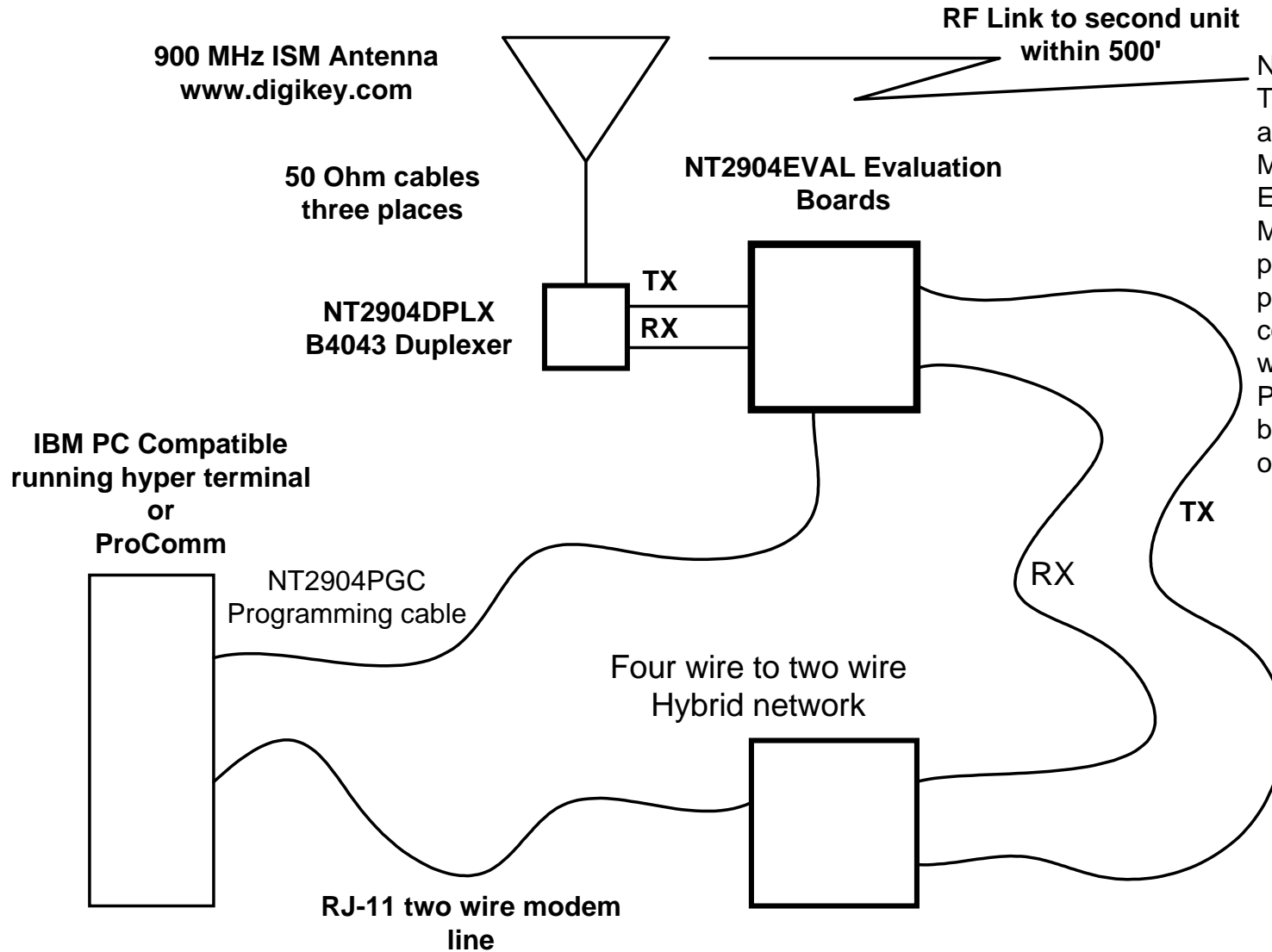


NT2904 Radio Frequency Modem



Note:
The PC modem must be set and operational as a Microcom Network Protocol Emulator.
MNP5 will provide for packetizing the data and provide retries and compression over the harsh wireless environment. Most PC's with V.90 modems can be configured for MNP5 operation.